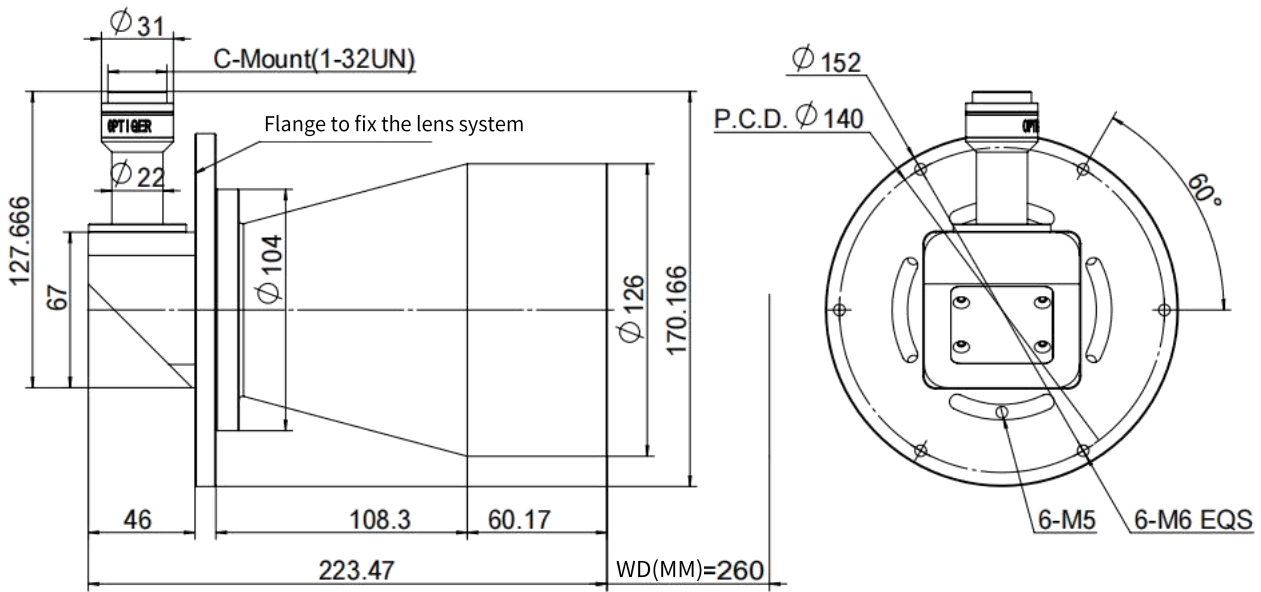


TTL11.5-105-260CL



Unit: mm

Specifications

Max. FOV(mm)	105
Sensor Size (mm)	11.5
Magnification	0.110
WD (mm)	260±5
Effective F-number	7
Object-side Resolution (um)	42.70
DOF (mm)	46.28
Measured Telecentricity	0.05°
Measured Distortion	0.05%
Mount	C-Mount
Length(mm)	223.47
Diameter (mm)	126
Weight (g)	2613

DESIGNED IN GERMANY
ULTRA HIGH PERFORMANCE BI-TELECENTRIC LENSES

Features

Available for cameras with sensor size of 2/3"

Available for cameras with pixel size of 3.45um

FOV (mm*mm)

1/2"(6.4X4.8)	58.2×43.6
2/3"(8.8X6.6)	80.0×60.0
Max Sensor Size (9.2X6.9)	83.6×62.7